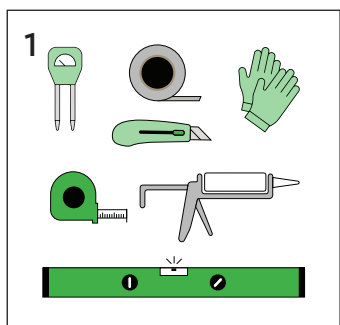
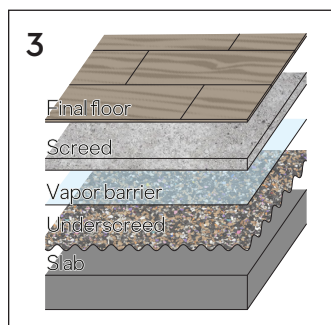
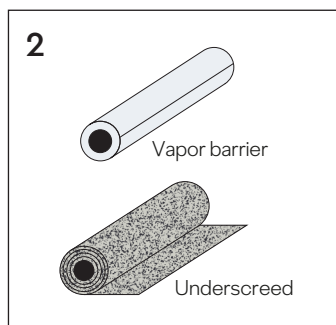


GENERAL INSTALLATION INSTRUCTIONS

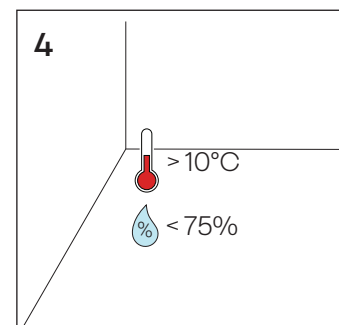
UNDERSCREED



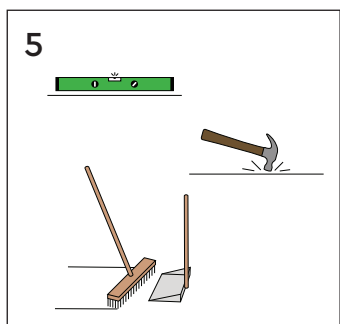
These are all the materials needed to install the underscreed.



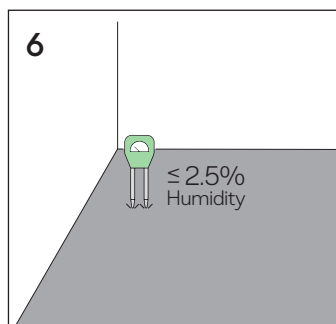
This is the final construction of the floor build up.



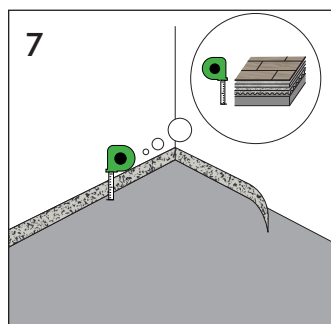
Temperature should be above 10°C and humidity below 75%.



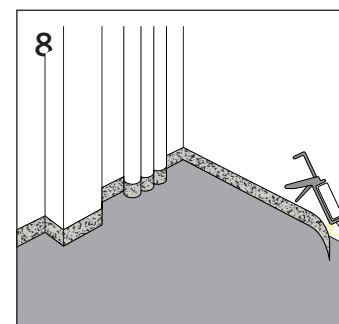
Make sure that the slab is leveled, dry, clean and in good structural conditions.



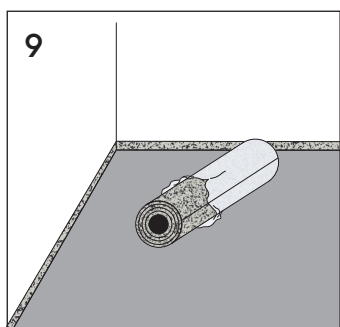
The humidity content of the slab is critical: it must not exceed 2.5 % (MC).



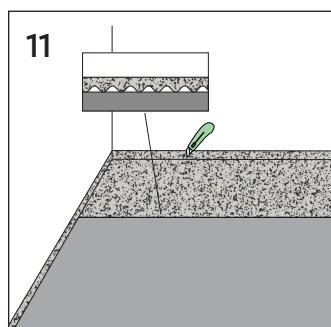
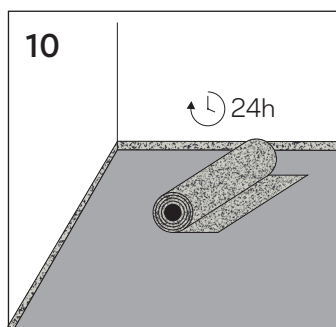
Install a perimeter insulation barrier vertically around the entire perimeter of the room with width equal to that of the floor build up.



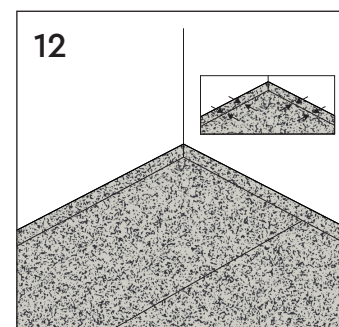
The barrier must also be applied in the perimeter of pipes, ducts or any other component protruding from the floor. Spot adhere the strips to the wall using acrylic glue or a bead of silicone sealant.



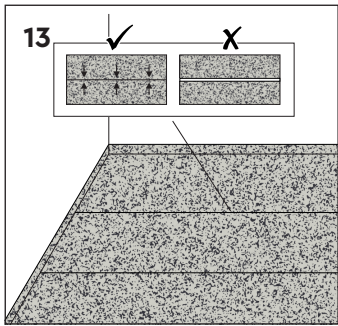
Open the packaging 24 hours in advance and store it in the room where the installation will take place.



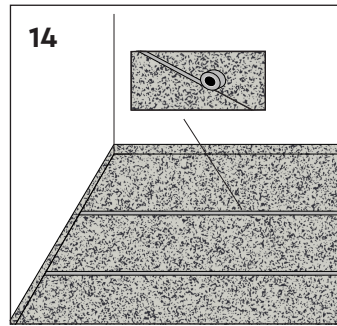
Cut and trim the underscreed to the designed size to fit the installation. Apply directly over the slab. In case of profile material, dimple side must face down.



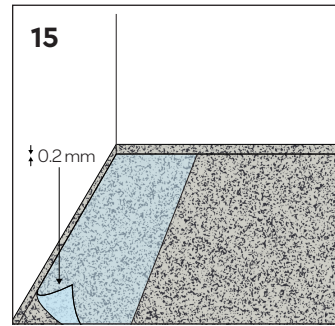
Place the underscreed directly against the insulation perimeter barrier already installed.



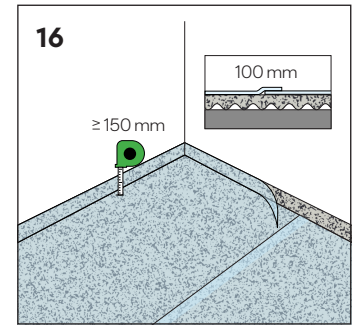
Proceed to cover the entire floor making sure that the joints are butted tight and use an adequate tape to fix it.



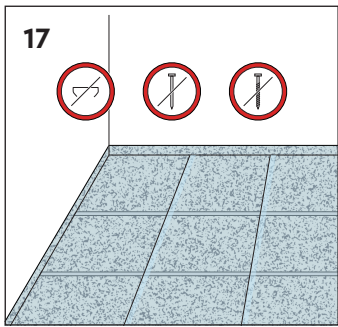
After completion, the underscreed should cover the entire flooring area without gaps and with joints securely taped.



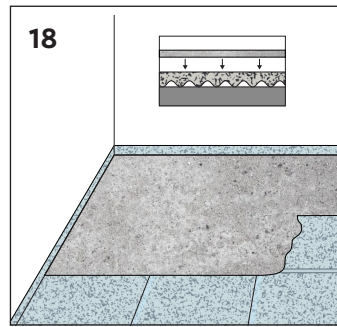
An waterproof membrane (ex. Polyethylene foil) minimum 0.2mm covering the entire flooring area must be installed prior to the screed.



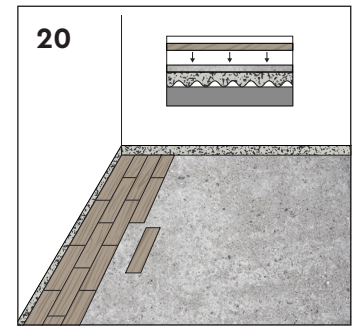
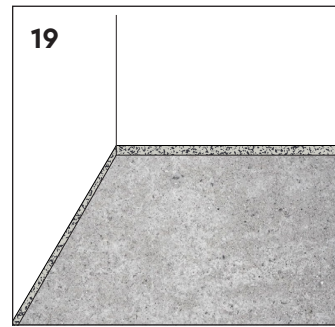
Install it, minimum 150mm wide vertically and overlapping it, minimum 100mm.



After completion, the insulation vapour barrier should cover the entire underscreed area without gaps. Never mechanically fasten the underscreed or the foil barrier with screws, nails or staples as this will severely diminish the performance of the insulation barrier.



Cast a suitable screed over the loose laid PE foil previously installed over the product.



Install the final floor recommended.

IMPORTANT NOTES

The following installation instructions are recommended by Amorim Cork Composites, but are not intended as a definitive project specification. They are presented in an attempt to be used with recommended installation procedures of the flooring manufacturers and screed.

Never mechanically fasten the underscreed or the foil barrier with screws, nails or staples as this will severely diminish the performance of the insulation barrier.

Always follow manufacturers recommended installation instructions. For detailed installation instructions, please contact us.



Access here for more information about installation process.