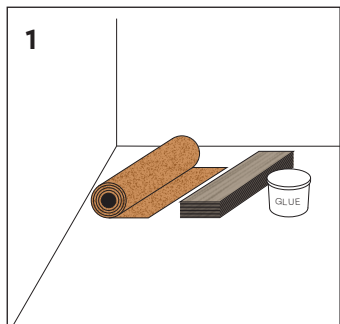
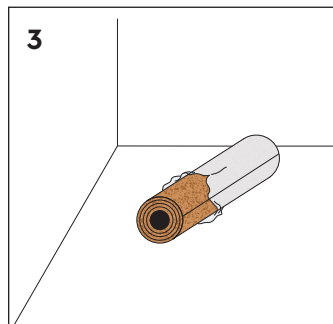
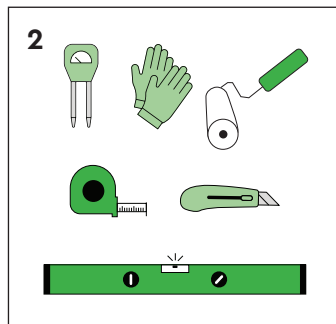


## FLOORING INSTALLATION

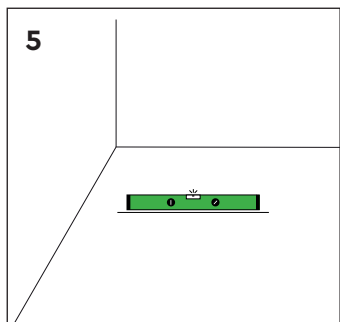
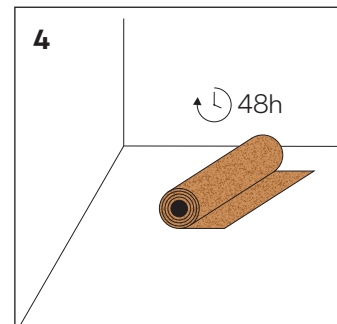
### GLUED FLOOR



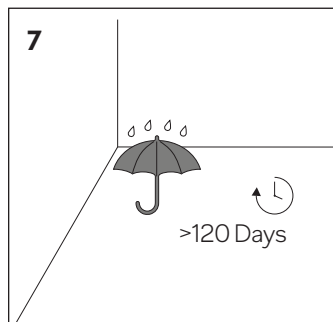
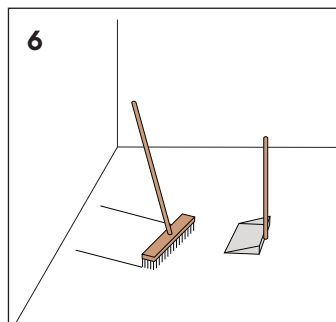
These are all the materials needed to install the underlayment.



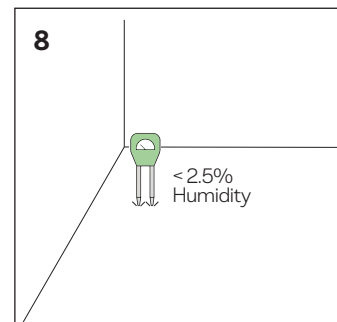
For the installation process, open the packaging 48 hours in advance and leave for acclimatization.



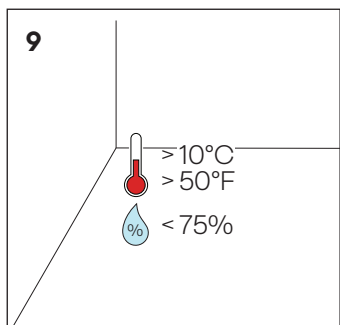
Subfloor preparation: Make sure that the subfloor is leveled, dry, clean and in good structural conditions.



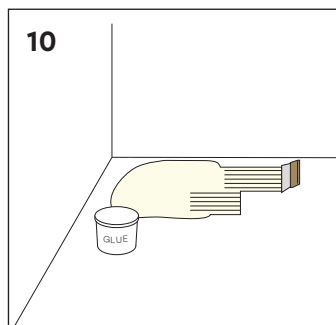
New concrete slabs must be left to cure for 120 days before installation.



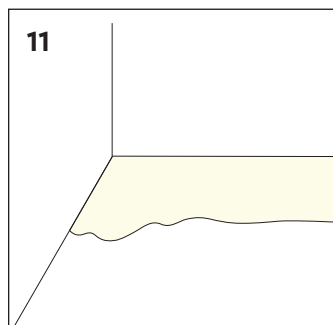
The humidity content of the substrate is critical: it must not exceed 2.5 % (MC).



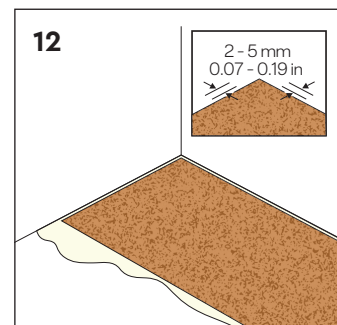
Air temperature should be above 10°C and air humidity below 75%.



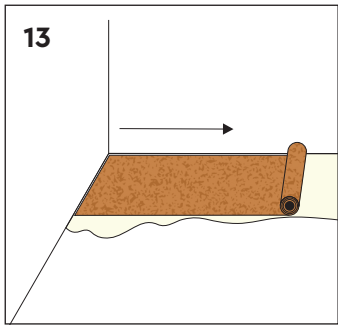
Optimal step: Apply the glue using a trowel. The installation of a moisture barrier is not necessary.



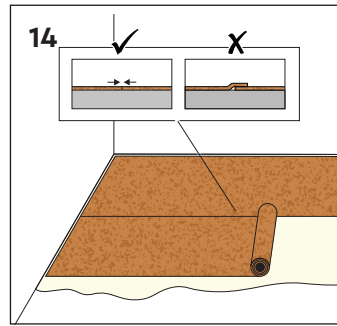
Optimal step: We recommend the use of an adequate glue for the flooring to be installed.



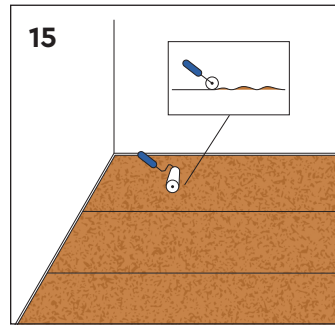
Install the underlayment directly on the adhesive, leave a space between the wall and the underlayment.



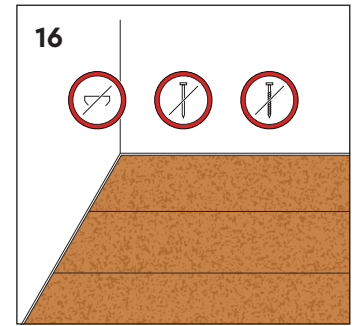
13  
The underlayment should be installed in a perpendicular direction that you plan to install the final floor.



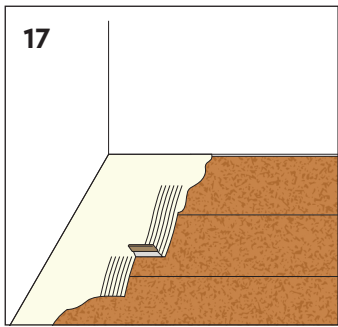
14  
The underlayment must cover the entire area without any gaps nor overlaps.



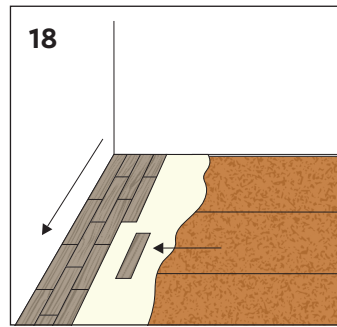
15  
Use the paint roller to make sure the underlayment doesn't have any waves.



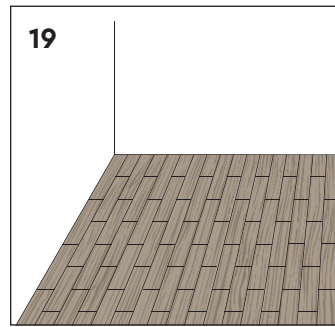
16  
Never mechanically secure the underlayment with screws, nails or staples, since this may undermine its effectiveness.



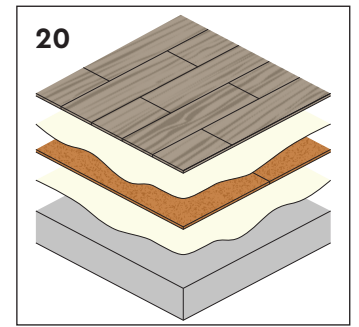
17  
Apply the same glue on the underlayment.



18  
Install the flooring in a perpendicular direction to the underlayment, and let the whole floor dry completely before you start to use it.



19  
Always follow the flooring manufacturer's recommended installation instructions.



20  
Total System.



For more information about this installation process and for non glued floors, access here

## GENERAL INSTALLATION INSTRUCTIONS

The following installation instructions are recommended by Amorim Cork Composites, but are not intended as a definitive project specification. They are presented in an attempt to be used with recommended installation procedures of the flooring installer.

### Final Flooring

Always follow manufacturers recommended installation instructions, particularly when adhesives are recommended.

### Recommended Adhesives

Wood floor to Acousticork: Water-Based Emulsion/Polyurethane Glue;  
Vinyl and linoleum to Acousticork: Water-Based Emulsion/

Synthetic Resin Glue; Ceramic to Acousticork: Flexible Cement Glue;  
Acousticork to slab/screed: Water-Based Emulsion/Acrylic Adhesives;

### Important Notes

Never mechanically fasten the underlayment to the flooring floor as this will severely diminish its acoustical value.

For more detailed installation instructions, please contact us. Never install a wood or laminate floor without vapor barrier (integrated or applied before the underlayment).

\*Product images and illustrations are for illustrative purposes only. For detailed installation instructions, please contact us.