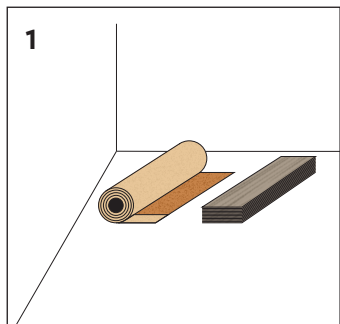
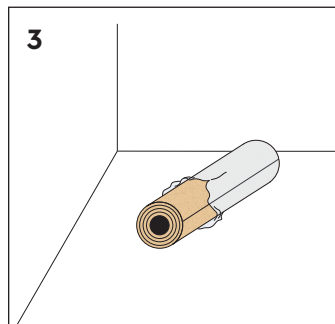
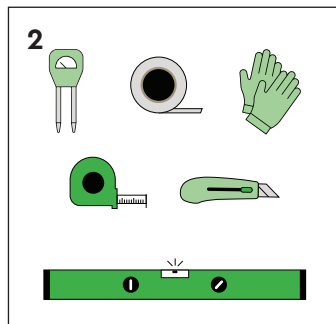


FLOORING INSTALLATION

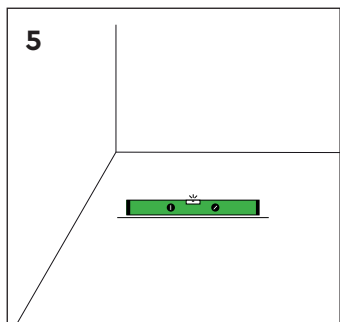
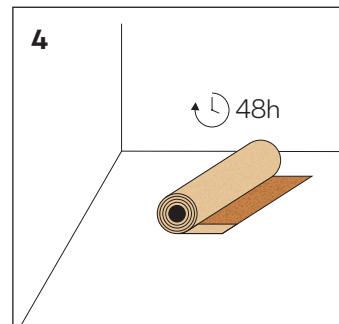
FLOATING FLOOR · UNDERLAYMENT WITH VAPOR BARRIER



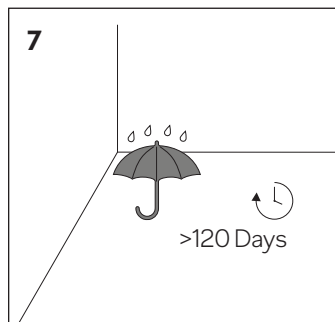
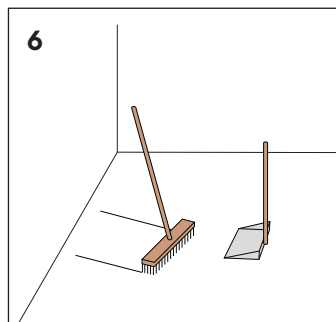
These are all the materials needed to install the underlayment.



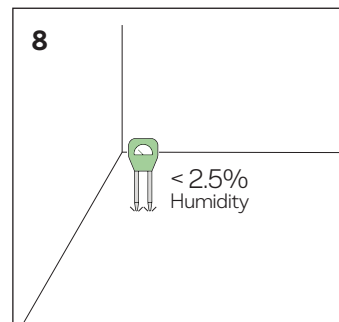
For the installation process, open the packaging 48 hours in advance and leave for acclimatization.



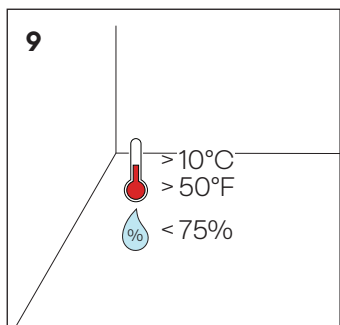
Subfloor preparation: Make sure that the subfloor is leveled, dry, clean and in good structural conditions.



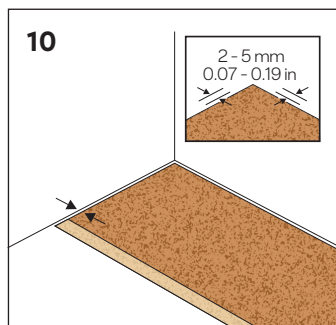
New concrete slabs must be left to cure for 120 days before installation.



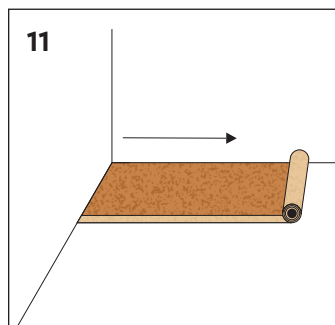
The humidity content of the substrate is critical: it must not exceed 2.5 % (MC).



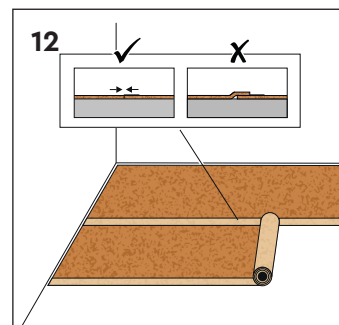
Air temperature should be above 10°C and air humidity below 75%.



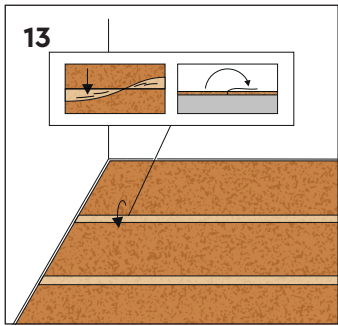
The underlayment should be installed in a perpendicular direction to the final floor. Leave a little space between the wall and the underlayment.



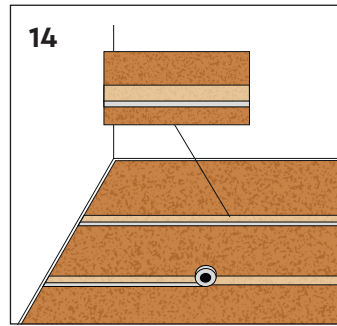
Place one roll parallel to the wall with the vapor barrier face down on the subfloor. The foil overlap should be on the opposite side of the wall.



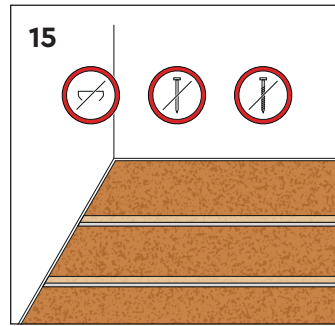
Install the new row immediately next to the previous one, covering the foil overlap. Be sure not to overlap the underlayment edges nor leave any gaps.



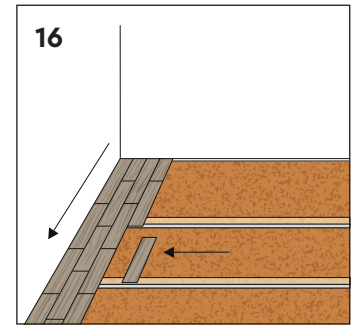
Make sure the foil overlap the row parallel.



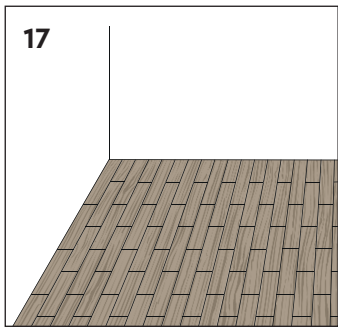
Use a sealing tape to seal the rows securely together.



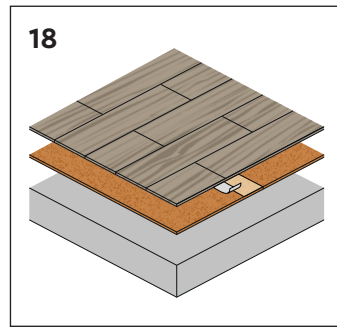
Never mechanically secure the underlayment with screws, nails or staples, since this may undermine its effectiveness.



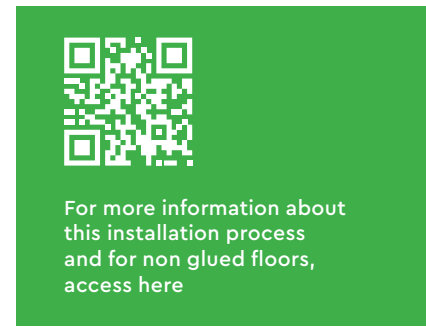
Install the flooring in a perpendicular direction to the underlayment.



Always follow the flooring manufacturer's recommended installation instructions.



Total System.



GENERAL INSTALLATION INSTRUCTIONS

The following installation instructions are recommended by Amorim Cork Composites, but are not intended as a definitive project specification. They are presented in an attempt to be used with recommended installation procedures of the flooring installer.

Final Flooring

Always follow manufacturers recommended installation instructions, particularly when adhesives are recommended.

Important Notes

Never mechanically fasten the underlayment to the flooring floor as this will severely diminish its acoustical value.

For more detailed installation instructions, please contact us. Never install a wood or laminate floor without vapor barrier (integrated or applied before the underlayment).

*Product images and illustrations are for illustrative purposes only. For detailed installation instructions, please contact us.