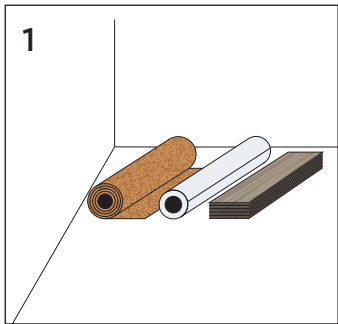
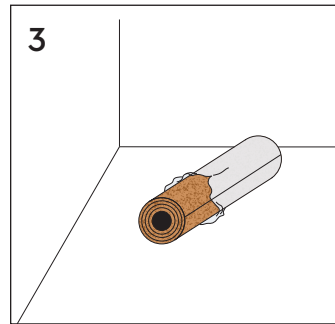
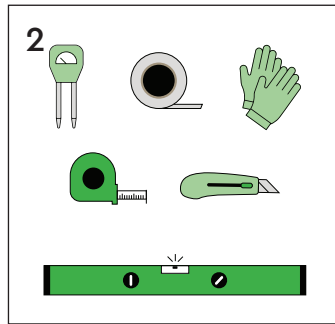


# FLOORING INSTALLATION

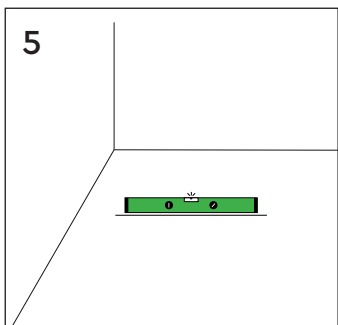
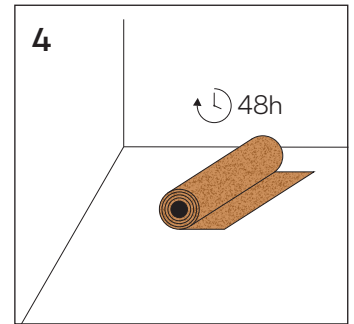
## FLOATING FLOOR · NON-VAPOR BARRIER UNDERLAYMENT



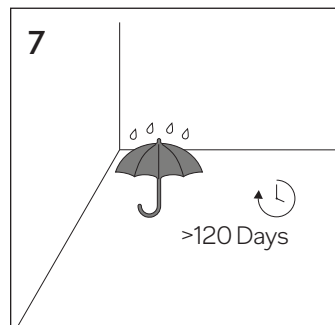
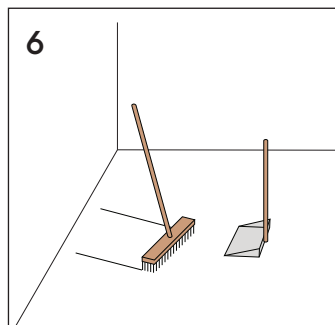
These are all the materials needed to install the underlayment.



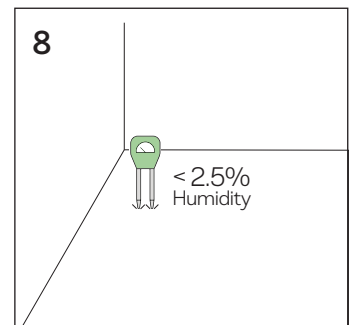
For the installation process, open the packaging 48 hours in advance and leave for acclimatization.



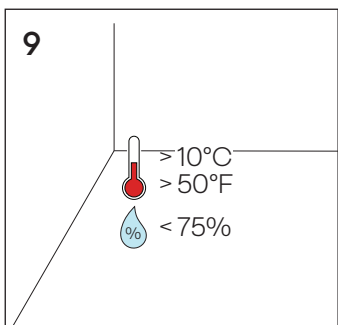
Subfloor preparation: Make sure that the subfloor is leveled, dry, clean and in good structural conditions.



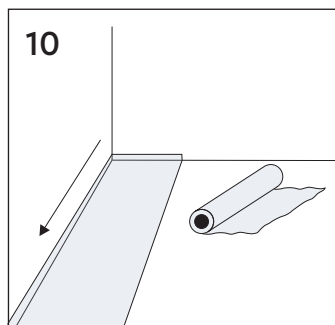
New concrete slabs must be left to cure for 120 days before installation.



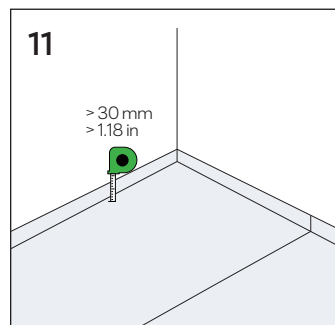
The humidity content of the substrate is critical: it must not exceed 2.5 % (MC).



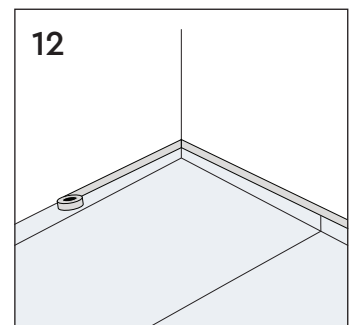
Air temperature should be above 10°C and air humidity below 75%.



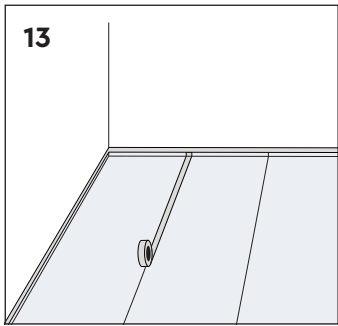
You must first install a moisture barrier across the entire area of the room. It should be installed following the outline of the enclosing wall.



Use a height of at least 30 mm and with a minimum overlap of 100mm using a sealing tape to seal the seams.

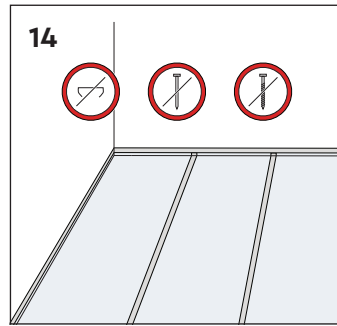


The barrier must be installed directly onto the surface of the subfloor. Use a sealing tape to seal the rows securely together.



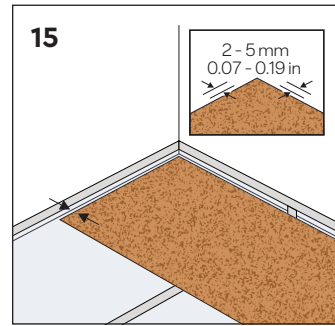
**13**

The installation should be in the opposite direction you plan to install the underlayment to reduce seams, in the same direction of the final floor.



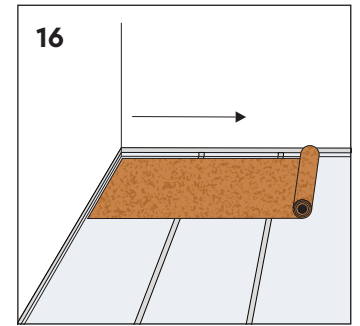
**14**

Never mechanically secure the barrier with screws, nails or staples, since this may undermine its effectiveness.



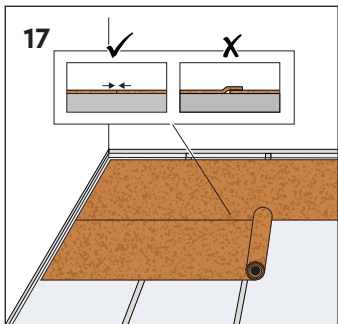
**15**

Leave a little space between the wall and the underlayment.



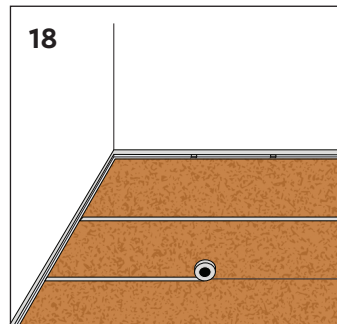
**16**

The underlayment should be installed in a perpendicular direction to the final floor, which should always be installed in the direction of natural light incidence in the room.



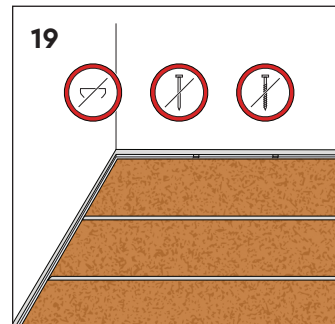
**17**

The underlayment must cover the entire area without any gaps nor overlaps.



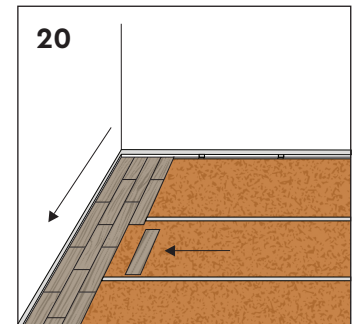
**18**

To securely joined using sealing tape.



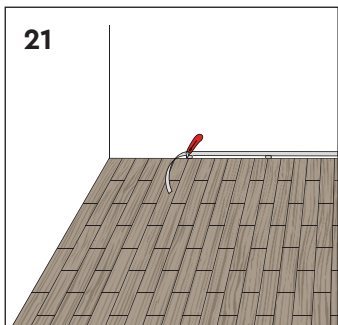
**19**

Never mechanically secure the underlayment with screws, nails or staples, since this may undermine its effectiveness.



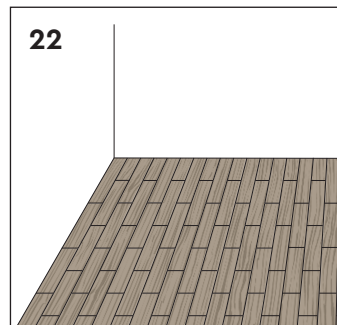
**20**

Install the flooring in a perpendicular direction to the underlayment.



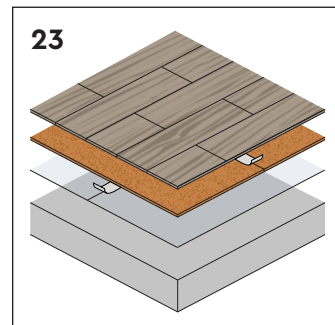
**21**

Cut off excess moisture barrier.



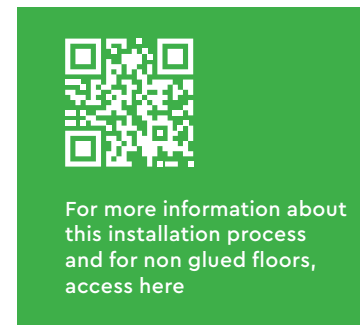
**22**

Always follow the flooring manufacturer's recommended installation instructions.



**23**

Total System.



## GENERAL INSTALLATION INSTRUCTIONS

The following installation instructions are recommended by Amorim Cork Composites, but are not intended as a definitive project specification. They are presented in an attempt to be used with recommended installation procedures of the flooring installer.

### Final Flooring

Always follow manufacturers recommended installation instructions, particularly when adhesives are recommended.

### Important Notes

Never mechanically fasten the underlayment to the flooring floor as this will severely diminish its acoustical value.

For more detailed installation instructions, please contact us. Never install a wood or laminate floor without vapor barrier (integrated or applied before the underlayment).